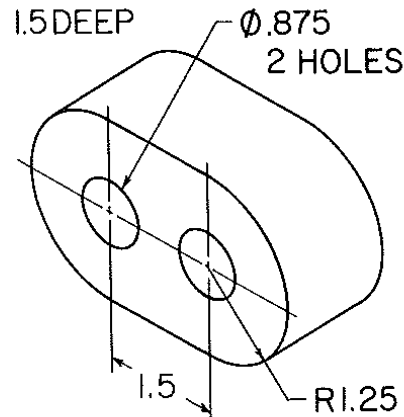


Design Studies 1A – 3D Design

Assignment 4

1. Sketch the following object in Inventor. Then create a drawing with the views necessary to describe the object. Dimensions are in inches.



2. Sketch the following object in Inventor. Then create a drawing with the views necessary to describe the object. Dimensions are in inches.

